

INSTALLATION AND MAINTENANCE INSTRUCTIONS

HM201E-C

Addressable Interface Module



NOTICE: This manual should be left with the owner/user of this equipment.

GENERAL DESCRIPTION

The interface module can be installed in a single gang junction box directly behind the monitored unit. Its small size and light weight allow it to be installed without rigid mounting. The module is intended for use in addressable, two-wire systems where the individual address of each module is written inside the MCU's EEPROM by the addressable programmer.

The Interface module allows intelligent panels to interface and monitor 2-wire conventional detectors. The module is addressed through the communication line of an intelligent system. It transmits the status of one zone of 2-wire detectors to the fire alarm control panel. Status conditions are reported as normal, open, or alarm. The interface module supervises the zone of detectors and the connection of the external power supply.

Compatibility Requirements

To ensure proper operation, this module should only be connected to a compatible control panel.

SPECIFICATIONS

Loop Voltage:	16 to 28VDC
External power supply:	16 to 32VDC
Standby Current:	450uA@28VDC (Maximum)
Alarm Current:	5mA (With LED latched on)
End of line resistance:	4.7kΩ
External supply standby current:	<8mA
External supply alarm current:	<40mA
Operating Temp:	-10°C to +50°C
Operating Humidity Range:	10% to 93% Relative Humidity, Non-condensing
Dimension of module:	73 mm L x 50mm W x 26mm H
Dimension of cover:	87mm x 87mm
Weight:	52g (without cover), 80g (with cover)



Interface module with cover



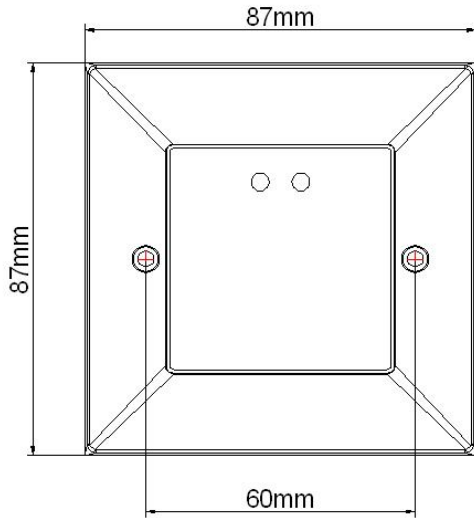
Interface module

INSTALLATION WIRING

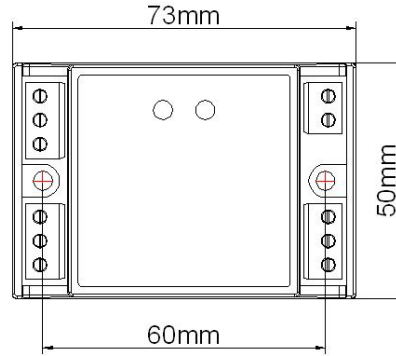
Before Installing

This information is included as a quick reference installation guide. Refer to the control panel installation manual for detailed system information. If the modules will be installed in an existing operational system, inform the operator and local authority that the system will be temporarily out of service. Disconnect power to the control panel before installing the modules.

Installation Dimensions



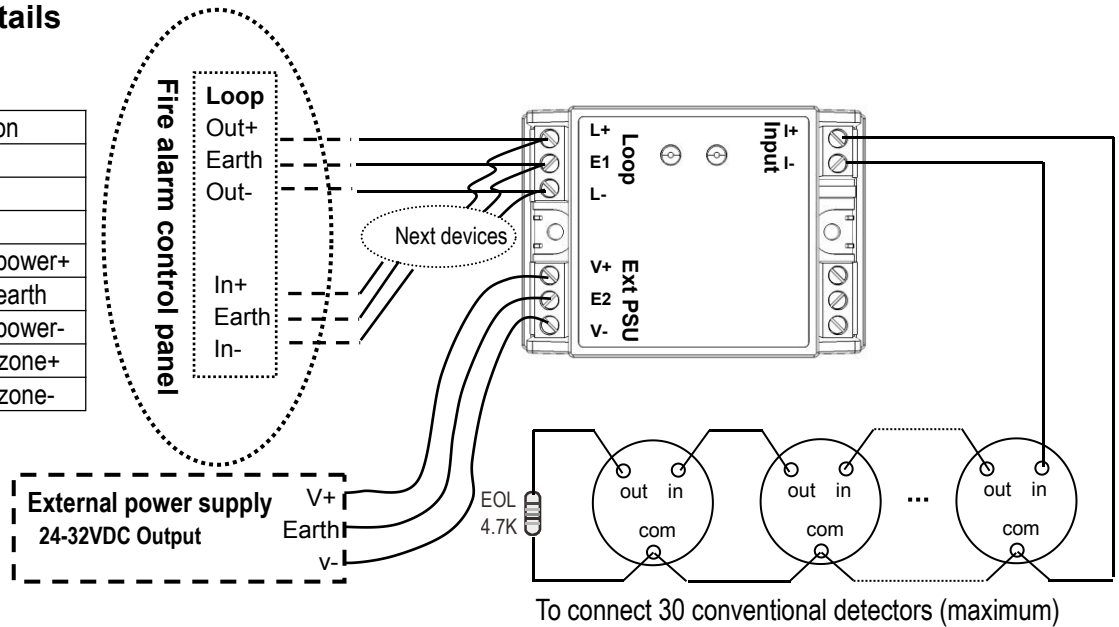
Install with cover



Install module without cover

Connection Details

Terminal	Description
L+	Loop+
E1	Earth
L-	Loop-
V+	External power+
E2	External earth
V-	External power-
I+	Detector zone+
I-	Detector zone-



Mounting and Wiring

NOTE: This module is intended to be wired and mounted without rigid connections inside a standard electrical box. All wiring must conform to applicable local codes, ordinances, and regulations. Written the address of module before mounting and wiring by programmer.

1. Connect the loop (+) and loop (-) wires to the Terminal **L+** and Terminal **L-**.
2. Connect the **Earth** wire to Terminal **E1**.
3. Connect the external power supply (+) and (-) wires to the Terminal **V+** and Terminal **V-**.
4. Connect the earth of external power supply wire to Terminal **E2**.
5. Connect the Terminal **I+** and Terminal **I-** to a two wire, conventional detector (smoke, heat, call point etc).
6. Install the specified EOL resistor 4.7K value to terminate the end of detector.
7. Program the address on the module per job drawings.
8. Install the module in the desired mounting location.



A-201 CPR 2017

MAINTENANCE

Apart from regular testing of the interface module, as part of the scheduled maintenance of the fire alarm system, no additional maintenance is required.