

HM201E-S**Addressable Input Module**

NOTICE: This manual should be left with the owner/user of this equipment.

GENERAL DESCRIPTION

The module can be installed in a single gang junction box directly behind the monitored unit. Its small size and light weight allow it to be installed without rigid mounting. The module is intended for use in addressable, two-wire systems where the individual address of each module is written inside the MCU's EEPROM by the addressable programmer.

The input modules provide an interface to contact devices, such as security contacts, water flow switches, or pull stations.

In addition to transmitting the supervised state of the monitored device (normal, open, or short), the full analog supervision measurement is sent back to the panel. This allows detection of impedance changes in the supervised loop to the monitored device.

Compatibility Requirements

To ensure proper operation, this module should only be connected to a compatible control panel.

SPECIFICATIONS

Loop voltage:	16 to 28VDC
Standby current:	450uA@28VDC (Maximum)
Alarm current:	5mA (With LED latched on)
End of line resistance:	47kΩ
Operating temp:	-10°C to +50°C
Operating Humidity Range:	10% to 93% Relative Humidity, Non-condensing
Dimension of module:	73 mm L x 50mm W x 26mm H
Dimension of cover:	87mm x 87mm
Weight:	48g (module only), 76g (with cover)



Input module with cover

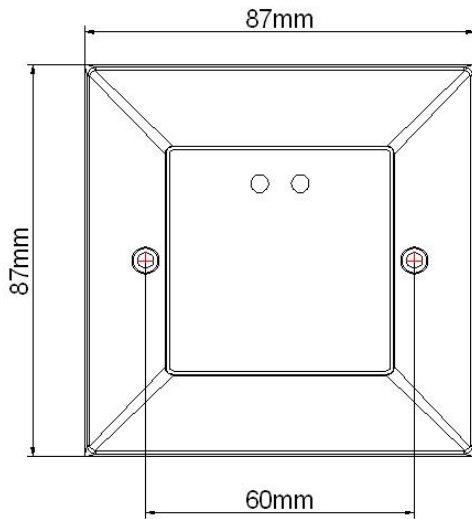


Input module

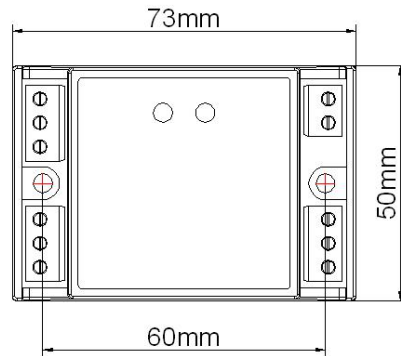
INSTALLATION WIRING**Before Installing**

This information is included as a quick reference installation guide. Refer to the control panel installation manual for detailed system information. If the modules will be installed in an existing operational system, inform the operator and local authority that the system will be temporarily out of service. Disconnect power to the control panel before installing the modules.

Installation Dimensions



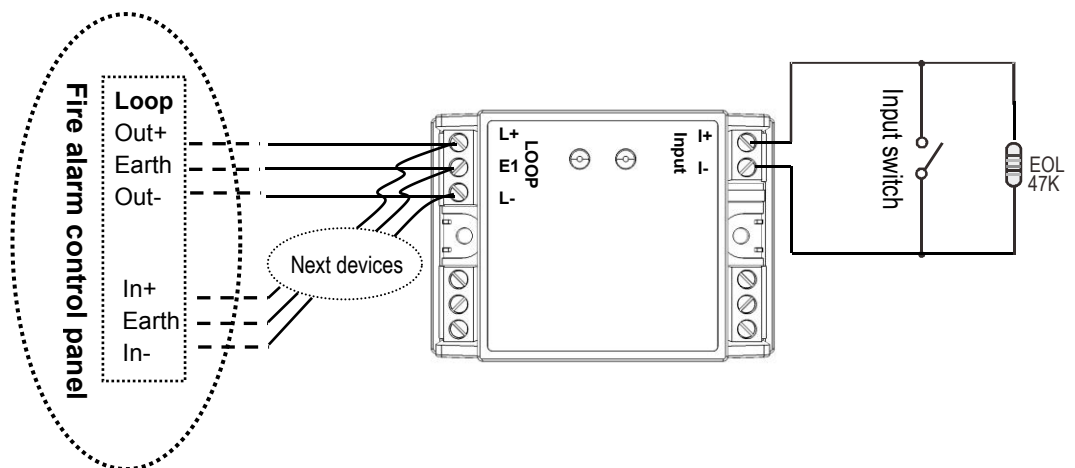
Install with cover



Install module without cover

Connection Details

Terminal	Description
L+	Loop+
E1	Earth
L-	Loop-
I+	Switch Input 1
I-	Switch Input 1



Mounting and Wiring

NOTE: This module is intended to be wired and mounted without rigid connections inside a standard electrical box. All wiring must conform to applicable local codes, ordinances, and regulations. Written the address of module before mounting and wiring by programmer.

1. Connect the loop (+) and loop (-) wires to the Terminal **L+** and Terminal **L-**.
2. Connect the **Earth** wire to Terminal **E1**.
3. Connect the Terminal **I+** and Terminal **I-** to a two wire, normally open initiating loop.
4. Install the specified EOL resistor 47K value to terminate the initiating loop.
5. Program the address on the module per job drawings.
6. Install the module in the desired mounting location.



HST
17
A-201 CPR 2017

MAINTENANCE

Apart from regular testing of the input module, as part of the scheduled maintenance of the fire alarm system, no additional maintenance is required.