

# Video Surveillance Product Catalog 2024





# HST-CS522-G330-G

## Recognitive 8.0MP 30x Vehicle 4G PTZ Camera



## Features

### Excellent Image Quality

- 8.0 Megapixel 1/1.8" Progressive Scan CMOS Sensor
- High definition and smooth picture, 4K@30fps
- H.265 video codec, saves up to 50% bandwidth and storage
- Ultra low illumination, 0.001lux with color picture
- IR automatically adjust
- 3D noise reduction / HLC / BLC

### Recognitive Functions

- Up to 20 targets simultaneously
- Target capturing and characters recognizing
- Built-in picture comparison algorithm, best picture selection

### Long Operation Lifespan

- Industrial components, withstands operation temperatures of -40°C ~ 70°C
- IP67, TVS 6000V lightning protection, surge protection and voltage transient protection

### Large Scale

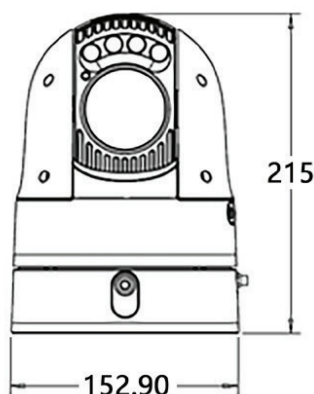
- 30x optical zoom
- IR distance up to 80m

### Abundant Functions and Features

- Built-in Micro SD card, supports Automatic Network Replenishment (ANR)
- Built-in super magnet
- 3G / 4G / Wi-Fi / Blue tooth supported
- Up to 10 hours continuous working with battery in 4G
- Vehicle based PT structure

## Dimensions

Units:mm



# Specifications

	HST-C522-G330-G
<b>Camera</b>	
Image Sensor	1/1.8" Progressive Scan CMOS
Pixels	8.0 Megapixel
Min. Illumination	Color: 0.001lux @ (F1.6, AGC ON) B/W: 0.0001lux @ (F1.6, AGC ON); 0lux with IR
Shutter Speed	1 ~ 1/30,000S
Day / Night	Auto (ICR) / Color / B/W
Wide Dynamic Range	Ultra WDR, >=120dB
S/N Ratio	>59dB
White Balance	Auto / Manual
Gain Control	Auto / Manual
Backlight Compensation	Off / WDR / BLC / HLC
<b>Lens</b>	
Focal Length	5 ~ 150mm, 30x optical
Zoom Speed	Approx 3s (Optical)
Angle of View	58.5°~ 3.7° (Wide~Tele)
Min. Object Distance	100 ~ 2000mm (Wide~Tele)
Max. Aperture Ratio	F1.6(Wide) / F4.1 (Tele)
Focus Control	Auto / Manual / Semi-Automatic
<b>Infrared</b>	
IR LED	4pcs IR LED Array
IR Distance	40 ~ 80m
IR Intensity	Automatically adjust according to zoom ratio
<b>Pan and Tilt</b>	
Pan / Tilt Range	360° Endless / -15° ~ 90° (Auto Flip)
Pan / Tilt Speed	Pan manual speed: 0.1° ~ 60°/s; Pan preset speed: 60°/s Tilt manual speed: 0.1° ~ 50°/s; Tilt preset speed: 50°/s
Proportional Zoom Preset	Pan / Tilt speed can be adjusted automatically according to zoom multiples 256
Patrol	8 Patrols scheme, up to 32 presets per patrol
Pattern Scan	4 Scan paths, each path can record 10 minutes of operation path
Power-off Memory	Power-off memory / Power-on recovery
Auto Guard	Path / Preset / Pan scan / Tilt scan
PT Limit	Manual / Scan / Pan
3D Positioning	PTZ control with mouse click and drag
<b>Video</b>	
Compression	H.265 / H.264
Image Resolution	Main stream: 4K Secondary stream: 1080p
Frame Rate	Main stream: 4K@30fps, 1080p@60fps Secondary stream: 1080p@30fps, 720p@60fps
Bitrate	256kbps ~ 32Mbps
Bitrate Control	VBR / CBR
Multi Stream	Supported
Caption	Date and time / Alarm / Direction / Customized
Privacy Masking	Up to 4 zones
Motion Detection	Up to 4 zones
Video Freeze	Supported
ROI	Supported
Digital Noise Reduction	3D noise reduction
Digital Defog	Supported
Image Flip	Flip / Mirror
<b>Display</b>	
Size	1.3"
Display Content	Battery capacity / GPS positioning / Network signal / Bluetooth status / Memory card capacity / VIID connection status
<b>Network</b>	
Network Protocols	TCP/IP, UDP, HTTP, DHCP, DNS/DDNS, RTP/RTCP, RTSP, PPPoE, FTP, VSIP, UPnP, 802.1x, NAT, QoS, SMTP, IPv4, IPv6 (optional)
User Interface	IPC Control (IE, Firefox, Chrome)
Max. User Access	Max. 20 Users (includes 2 internal)
Wireless	3G / 4G / Wi-Fi / Blue tooth
4G Frequency Band	"FDD-LTE: B1 / B3 / B5 / B7 / B8 / B20 TDD-LTE: B38 / B40 / B41 B26 / B28 Customizable network spectrum"
Wi-Fi	802.11ac/b/g/n 2.4G / 5G, Wi-Fi AP
Blue Tooth	BT 4.2 / 5.0
Location Technology	GPS, Beidou
Application Programming	Onvif (Profile S, Profile G), API, CGI
<b>Alarm</b>	
Alarm Triggers	Network disconnect
Alarm Events	Alarm report / Text overlay / Email notice
<b>Recognitive Functions</b>	
Target Detection	Face up to 20 targets simultaneously
Captured Picture	Face, Full view Built-in picture comparison algorithm, best picture selection
Target Characters	Direction / Speed level
<b>Interfaces</b>	
Aviation Port	4-Pin 10/100M interface, 2-Pin Charge interface
Wi-Fi	2 x built-in Wi-Fi module
GPS	Built-in GPS module
3G / 4G	2 x built-in 3G / 4G module
Blue Tooth	Built-in Blue Tooth module
Memory Slot	1 x Built-in 128G Micro SD card, 1 x Micro SD slot (up to 512GB)
Audio in / Out	1 x Line in / 1 x Line out
Control	1 x RS485
<b>Environmental</b>	
Operating Temperature	Power supplied by built-in battery: -20°C ~ 60°C / -4°F ~ 140°F Power supplied by DC: -40°C ~ 70°C / -40°F ~ 158°F
Operating Humidity	10% ~ 95%
Protection Level	IP67, TVS 6000V lightning protection, surge protection and voltage transient protection
<b>Electrical</b>	
Power	Built-in 13600mAh normal temperature rechargeable lithium battery Up to 10 hours continuous recording with battery in 4G connection status 12V DC ± 10%
Power Consumption	Max. 25W (IR on )
<b>Mechanical</b>	
Magnet	Built-in super magnet
Weight	3.8kg / 8.38lb (Gross Weight)
Dimensions	Φ221.5 × 153mm / Φ8.72" × 6.03"
Colour	Black
<b>Accessories</b>	
Optional	Three-proof Suitcase, tripod
* All battery claims depend on network configuration and many other factors, actual results will vary.	

