

# 2MP WDR Starlight Vandal-resistant Fixed Dome Network Camera

ECD232R3E-DUVPF28(40)-B



## Key Features

### Optics

- Starlight illumination
- Day/night functionality
- SmartIR, up to 30 m (98 ft) IR distance
- Up to 120 dB WDR (Wide Dynamic Range)
- 3D DNR (Digital Noise Reduction)

### Compression

- H.265, H.264, MJPEG
- Embedded smart algorithm
- Triple streams
- ROI (Region of Interest)
- Customized OSD

### Network

- ONVIF Conformance

### Structure

- Wide temperature range: -35°C to 60°C (-31°F to 140°F)
- Wide input voltage range of  $\pm 25\%$

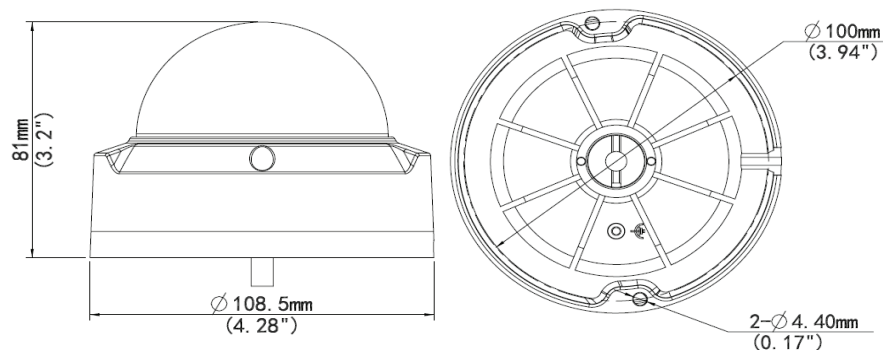
- IK10 vandal resistant
- IP67

## Specifications

	ECD232R3E-DUVPF28-B	ECD232R3E-DUVPF40-B
<b>Camera</b>		
Sensor	1/2.9", 2 megapixel, progressive scan CMOS	
Lens	2.8 mm@F1.6	4.0 mm@F1.6
Angle of View (H)	105.2°	76.6°
Shutter	Auto/Manual, 1/6~1/100000 s	
Min. Illumination	Colour: 0.002 Lux (F1.6, AGC ON) 0 Lux with IR	
Day/Night	IR-cut filter with auto switch (ICR)	
S/N	>52dB	
WDR	Optical WDR(up to 120dB)	
Noise Reduction	2D/3D	
<b>Video</b>		
Max. Resolution	1920 × 1080	
Video Compression	H.265, H.264,MJPEG	
Frame Rate	1080P (1920*1080): Max. 30 fps; 720P (1280*720): Max. 30 fps; D1 (720×576): Max. 30 fps	
Video Streaming	Triple	
9:16 Corridor Mode	Supported	
ROI	Supported	
Evaluative Metering	Supported	
OSD	Up to 8 OSDs	
Privacy Mask	Up to 8 areas	
<b>Smart</b>		
Behavior Detection	Intrusion, crossing line, motion detection	
Exception Detection	Audio detection	
Intelligent Identification	Face detection, Defocus, Scene Change	
Statistical Analysis	People counting	
<b>Audio</b>		
Audio Compression	G.711	
Two-way audio	Supported	
<b>Storage</b>		
Edge Storage	Micro SD, up to 128 GB	
<b>Network</b>		
Protocols	L2TP, IPv4, IGMP, ICMP, ARP, TCP, UDP, DHCP, PPPoE, RTP, RTSP, RTCP, DNS, DDNS, NTP, FTP, UPnP, HTTP, HTTPS, SMTP, SIP, 802.1x	
Compatible Integration	ONVIF,API	

Interface	
Audio I/O	Input: impedance 35 k $\Omega$ ; amplitude 2 V [p-p]
	Output: impedance 600 $\Omega$ ; amplitude 2 V [p-p]
Alarm I/O	1/ 1
Network	10M/100M Base-TX Ethernet
General	
Power	12 V DC, or PoE (IEEE802.3 af)
	Power consumption: Max 5.5W
Dimensions ( $\varnothing$ x H)	$\varnothing$ 108.5 x 81 mm ( $\varnothing$ 4.28" x 3.2")
Weight	0.45 kg (0.99 lb)
Working Environment	-35°C ~ +60°C (-31°F ~ 140°F), Humidity $\leq$ 95% RH(non-condensing)
Ingress Protection	IP67
Vandal Resistant	IK10

## Dimensions



## Accessories

Installation mode	Accessories	Description
Ceiling mount	Mounting pedestal is included in the product package	TR-JB03-B-IN junction box and TR-A01-IN waterproof joint for the junction is optional
Wall mount	TR-WM03-A	For indoor wall installation, excluding junction box
	TR-JB07/WM03-A-IN	For outdoor wall installation, including junction box
Pole mount	TR-WM03-A + TR-UP06-IN	For indoor wall installation, excluding junction box
	TR-JB07/WM03-A-IN + TR-UP06-IN	For outdoor wall installation, including junction box
Pendant mount	TR-UF45-D-IN + TR-CE45-IN	For indoor pendent installation
Tilted mounting	TR-UM06-B-IN	\