

Video Surveillance Product Catalog 2017



HST-7122-08A

8 Bay Professional Network Video Recorder



Features

High-performance, High-capacity

- H.265 supported
- 4 x 4K@30fps / 16 x 1080p@30fps video decoding capability
- Up to 64 channels
- Up to 320Mbps incoming bandwidth
- 256Mbps output bandwidth
- 64 user access simultaneously
- Max. 8 HDDs up to 48TB storage
- e-SATA storage supported

Easy to install

- Automatic network organizing
- Built-in DHCP server

High reliability

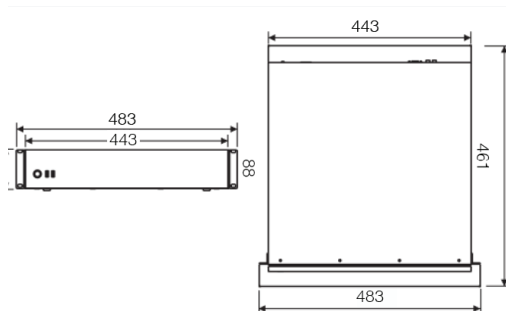
- Embedded Linux
- Low power consumption
- Supports Automatic Network Replenishment (ANR)
- Supports Packet Loss Recovery (PLR)
- N+1 Hot Backup

Abundant functions and features

- HDMI/VGA simultaneously output different content
- E-Map, TV-Wall supported
- Bi-directional audio, Broadcasting
- NAT, Socks5
- Alarm management
- Free CMS (NVR Station), supports 128 NVR simultaneously
- CMS supports 6 screens simultaneously (4 x Live viewing, 1 x E-Map, 1 x TV-Wall)

Dimensions

Units:mm



Specifications

	HST-7122-00908A	HST-7122-01608A	HST-7122-03208A	HST-7122-06408A
Video/Audio Input	9 channel	16 channel	32 channel	64 channel
IP Camera Input	8MP(4K), 6MP, 5MP, 4MP, 3MP, 1080p, UXGA, 960p, 720p, XGA, SVGA, D1, CIF, QCIF			
Resolution	H.265 / H.264			
Compression	Onvif, RTSP			
Protocols	64kbps ~ 16384kbps			
Bitrate	90Mbps	160Mbps	320Mbps	320Mbps
Incoming Bandwidth	Live Viewing			
Local Display	1 x HDMI, 1 x VGA, simultaneously output different content			
Multi Screen Display Local monitor (Main / Secondary):	1, 3, 4, 9, 1+4, 1+8, 1/1, 2/1, 4/1, 1+4/1	1, 3, 4, 9, 15, 16, 1+4, 1+8, 1+9, 1+15, 1/1, 2/1, 4/1, 9/1, 15/1, 16/1, 1+4/1, 1+8/1, 1+9/1, 9/4, 9/9	1, 3, 4, 9, 15, 16, 25, 36, 1+4, 1+8, 1+9, 1+15, 1/1, 2/1, 4/1, 9/1, 15/1, 16/1, 1+4/1, 1+8/1, 1+9/1, 9/4, 9/9	1, 3, 4, 9, 15, 16, 25, 36, 48, 64, 1+4, 1+8, 1+9, 1+15, 1/1, 2/1, 4/1, 9/1, 15/1, 16/1, 36/1, 48/1, 64/1, 1+4/1, 1+8/1, 1+9/1, 1+15/1, 4/9, 9/4, 9/9
Multi Screen Display Client	up to 4 screens simultaneously: 1, 3, 4, 9, 12, 16, 20, 25, 30, 36, 42, 49, 56, 63, 64 1+5, 1+7, 1+8, 1+9, 1+11, 1+12, 1+13, 1+15, 1+16, 1+33, 1+47, 1+48			
E-Map	Live Viewing in E-Map (NVR Station)			
Function	Supported			
Recording	E-PTZ / Scheme / Polling / TV-Wall (optional with decoder) / Virtual channel			
Resolution	8MP(4K), 6MP, 5MP, 4MP, 3MP, 1080p, UXGA, 960p, 720p, XGA, SVGA, D1, CIF, QCIF			
Mode	Manual / Continuous / Schedule / Event (Pre / Post)			
Event Trigger	Supported			
Tag	Supported			
Reliability	Automatic Network Replenishment (ANR)			
Search & Playback	Date and time (Calendar) / Event			
Search Mode	8MP(4K), 6MP, 5MP, 4MP, 3MP, 1080p, UXGA, 960p, 720p, XGA, SVGA, D1, CIF, QCIF			
Resolution	4 x 4K@30fps / 9 x 1080p@30fps			
Playback (Local Monitor)	4 x 4K@30fps / 16 x 1080p@30fps			
Playback (Client)	up to 16 x 4K@30fps			
Synchronize Playback (Local Monitor)	4 x 4K@30fps / 9 x 1080p@30fps			
Synchronize Playback (Client)	4 x 4K@30fps			
Function	Slow forward / Fast forward / Loop / Single frame / E-PTZ / Slice playback			
Storage				
Max. Internal HDDs	8 x 3.5" HDD			
RAID	Max. 48TB (up to 6TB/each)			
External	RAID 0/1/5/6/10			
Function	IP SAN (iSCSI), up to 10 x IP SAN, Max. 100T (optional)			
Audio	e-SATA			
Compression	Disk group / Quota / Disk dormancy			
Bit rate	G.711a / G.711u / ADPCM / G.722 / G.722.1c / AAC-LC			
Audio Function	32kbps ~ 64kbps			
Alarm	Bi-directional audio / Dumb / Mute / Broadcasting			
Service Alarm Triggers	Alarm input / Video lost / Motion detection / Tampering / Guard line / Defocus / Sence change / Enter guard area / Exit guard area / Object left / Object removal / Gathering / Audio surge			
System Alarm Triggers	Device disconnected / No disk / Disk error / IP Address conflict / Network disconnected / Low speed / Insufficient recording space / MAC address conflict / Insufficient snapshot space			
Alarm Events	Snapshot / Recording / PTZ preset / Buzzer / Email / Link to Client / Alarm caption / Live view in first window / Link to TV Wall / Link to secondary screen / Full screen viewing			
System				
Operating System	Embedded Linux			
User Management	Admin / User			
Log Management	User login / User operation / Alarm / Backup / Update			
Application Programming	NVR Station SDK			
Network				
Network Protocols	TCP/IP, UDP, HTTP, DHCP, DNS/DDNS, RTP/RTCP, RTSP, PPPoE, FTP, SMTP, VSIP, UPNP, SMTP, IPv4, IPv6 (optional)			
Viewer Software	CMS (NVR Station) / Web / IOS app / Android app			
Max. User Access	64 Users			
Output Bandwidth	256Mbps			
Function	NAT / Socks5 / Multiple network access / Packet loss recovery / Auto network organizing			
Network Test	Supported			
Hot Backup	N+1			
Interfaces				
Ethernet	2 x Gigabyte network port, RJ45 interface			
Video Out	1 x HDMI (up to 3840 x 2160@60Hz)			
Audio In / Out	1 x VGA (up to 1920 x 1080@60Hz)			
Alarm In / Out	1 x RCA Line in / 1 x RCA Line out			
Control	2 x RS485			
USB	2 x USB 2.0 1x USB3.0			
e-SATA	1 x e-SATA			
Environmental				
Operating Temperature	-10°C ~ 55°C / 14°F ~ 131°F			
Operating Humidity	10% ~ 90%			
Electrical				
Power	100 ~ 240V AC, 50 ~ 60Hz			
Power Consumption	Max. 15W (HDD not included)			
Mechanical				
Weight	7.6kg / 16.72lb (HDD not included)			
Dimensions	443 x 461 x 88mm / 17.44" x 18.15" x 3.46"			